

Product Overview

Albion Vented

Traditional Vented Copper Hot Water Storage Tanks



Product Info

Albion Copper Vented



Key Features:

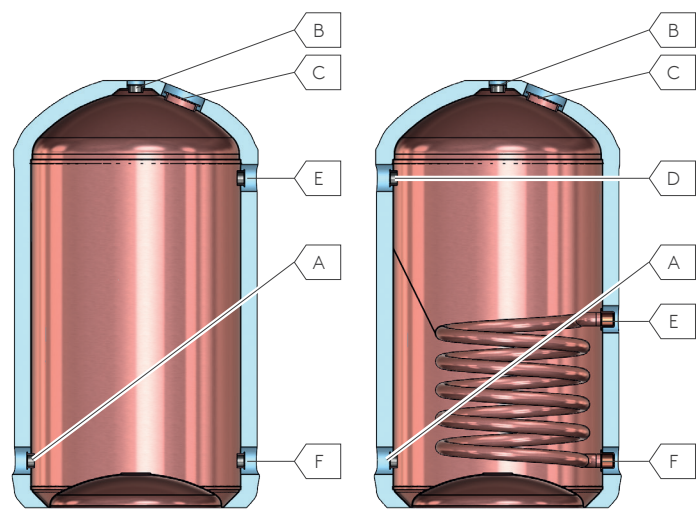
- The fast, cheap, minimum hassle replacement option for an existing copper vented cylinder at the end of its working life
- Well insulated using the latest HFO foam for minimum environmental impact
- Storing domestic hot water to satisfy your peak demand
- Cylinders manufactured to (BS) 1566:2002+A1:2011 and combi tanks to (BS) 3198:1981
- Part L1B Compliant
- Available in a wide range of capacities and sizes with direct, indirect and solar options to choose from
- Combi tanks feature a built-in cold water tank for installations where no loft space is available to locate the cold cistern
- 2-year guarantee against manufacturing defects

Connections

- A Cold feed
 - B Hot water outlet / open vent*
 - C 2¼" Immersion heater boss
 - D Secondary return / dedicated shower connection (if fitted)
- Direct models installed with an old back boiler
- E Flow from heat source
 - F Return to heat source

* Combi tanks feature separate open vent pipe.

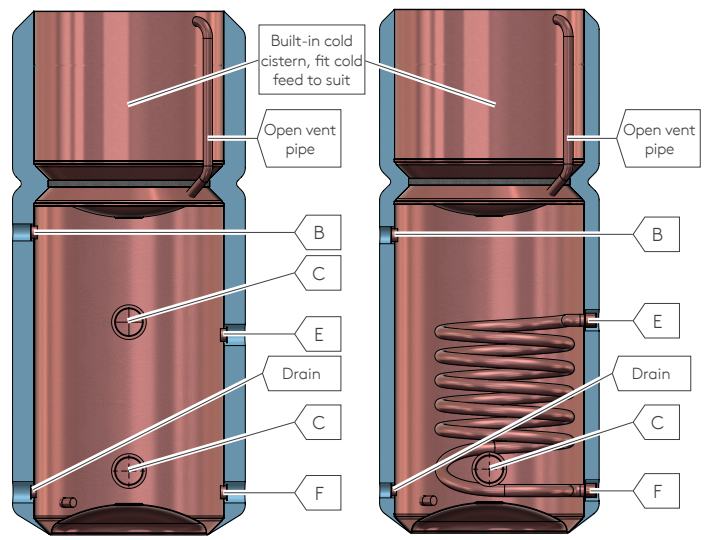
Standard Cylinders



Direct

Indirect (Hercal)

Combi Tanks (Fortic)



Direct

Indirect

Form Factor	Height (mm)	Diameter (mm)	Nominal Capacity Hot (Litres)	Grade	Insulation Thickness (mm)	ErP (Hot Water Storage Tanks)		Rating	Standing Loss, (W)
						Direct Codes	Indirect Codes		
Standard Cylinders	1500	300	95	3	35	KD1500300G3	KN1500300G3	C	57
	900	400	96	3	35	KD900400G3	KN900400G3	C	60
	1050	400	114	3	35	KD1050400G3	KN1050400G3	C	63
	900	450	117	3	35	KD900450G3	KN900450G3	C	66
	1050	450	140	3	35	KD1050450G3	KN1050450G3	C	73
	1200	450	162	3	35	KD1200450G3	KN1200450G3	C	73
	1500	450	206	3	35	KD1500450G3	KN1500450G3	C	83
Combi Tanks (Fortic)	900	400	65	n/a	35	KD900400G3C	KN900400G3C	C	51
	1075	400	89	n/a	35	KD1075400G3C	KN1075400G3C	C	66
	1200	400	90	n/a	35	KD1200400G3C	KN1200400G3C	C	57
	900	450	85	n/a	35	KD900450G3C	KN900450G3C	C	61
	1075	450	115	n/a	35	KD1075450G3C	KN1075450G3C	C	63
	1200	450	115	n/a	35	KD1200450G3C	KN1200450G3C	C	63
	1400	450	144	n/a	35	KD1400450G3C	KN1400450G3C	C	70

All dimensions ±3mm unless stated otherwise, dimensions exclude foam lagging.

Contact Details

UK

Kingspan Water & Energy Ltd.

Tadman Street | Wakefield

West Yorkshire | WF1 5QU

T: (GB) +44 (0) 345 260 0258

T: (NI) +44 (0) 28 3836 4520

E: hotwater@kingspan.com

kingspancylinders.com



KingspanWaterandEnergy



@KingspanWatEner



KingspanWaterEnergy

We take every care to ensure that the information in this document is accurate at the point of publication. Dimensions may vary (within a small parameter) due to manufacturing process variations or environmental conditions. All images are for illustration purposes only and, along with dimensions, should not be taken as binding. The actual product may vary and aspects such as equipment specification/ colour may differ. To ensure you are viewing the most recent and accurate product information, please visit this link: <https://www.kingspan.com/gb/en-gb/products/hot-water-cylinders> ©Kingspan and the Lion Device are Registered Trademarks of the Kingspan Group in the UK, Ireland and other countries. All rights reserved. Registered in Country No.NI017631. Registered Office: 180 Gilford Road, Portadown, Co. Armagh, BT635LF. VAT GB412 5124 03

