

8

7

6

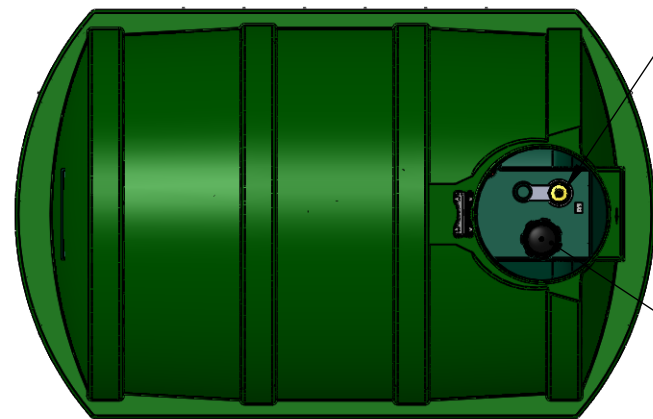
5

4

3

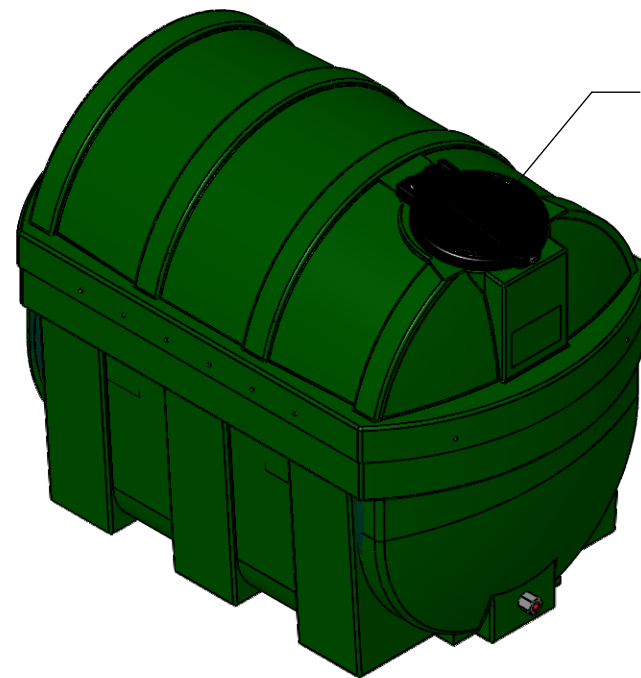
2

1

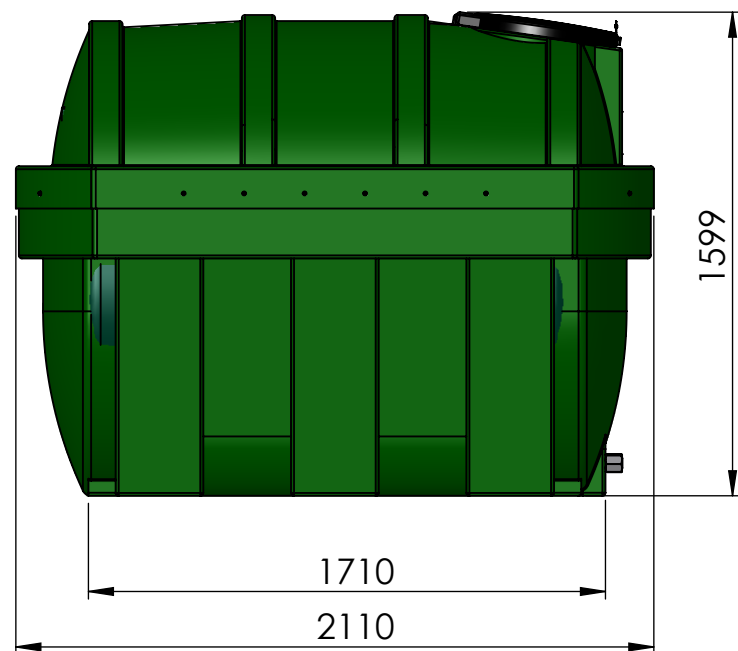


2" BSP FILL POINT WITH SPILLSTOP

TANK INSPECTION LID



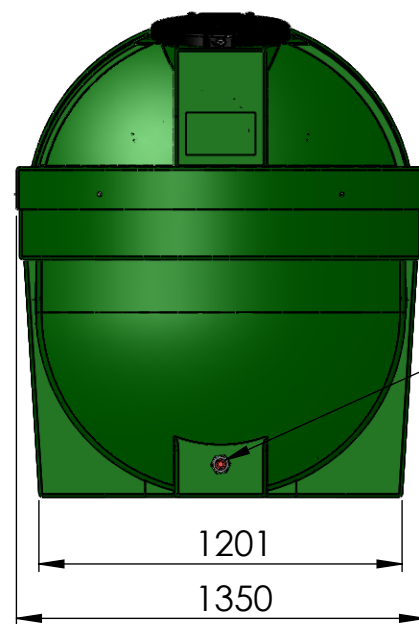
LOCKABLE ACCESS LID



1710

2110

1599



1201

1350

1" BSP
BOTTOM OUTLET

UNLESS OTHERWISE SPECIFIED
DIMENSIONS ARE IN MM.
TOLERANCES ARE:
NO DECIMAL ±2
.X ±0.3 .XX ±0.10 ANGLES
±0° 30'

DRAWN	DATE
SB	08 Dec 2023
APPROVED	
<i>J. Barr</i>	

Deso Engineering Ltd

Slade Way, Williton, Taunton TA4 4TA
TEL: 01984 632026
email: sales@desoengineering.co.uk

SCALE
MATERIAL N/A
MASS (Kg) 154

**DESOTO
ENGINEERING**

H1800BT Generic Tank

CAD GENERATED DRAWING,
DO NOT MANUALLY UPDATE
3RD ANGLE PROJECTION
DO NOT SCALE DRAWING

SIZE A3

DRAWING NO.	REV.
H1800BT	02
IF IN DOUBT - ASK.	
SHEET 1 OF 1	

REVISIONS

REV.	DESCRIPTION	DATE	APPROVED
01		10/07/2024	SB
02	ECN4026 - HEIGHT INCREASED TO 1600	10/07/2024	SB

8

7

6

5

4

3

2

1